

# SLA 5/24

Slave module for Glamox heater series 3001  
Regulated by 5 to 24 volt AC/DC control signal

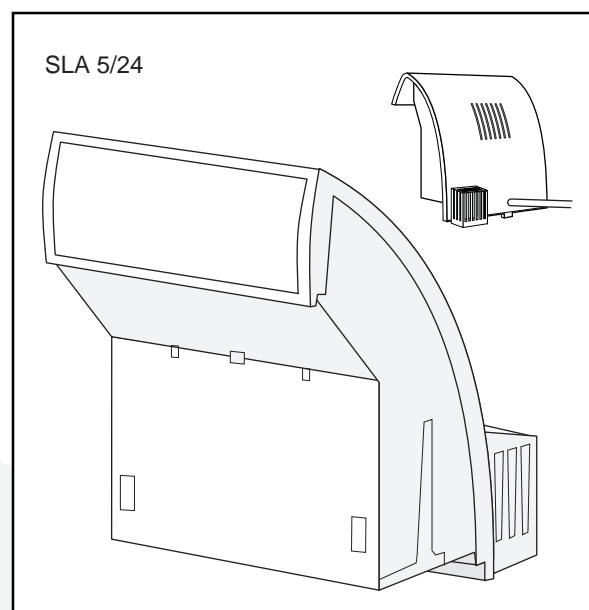


## SLA 5/24 – governed by master thermostat

SLA 5/24 may be controlled by all systems using control signals from 5 to 24 volts, AC or DC. When the signal voltage is applied, the heater will switch on, and will continue heating as long as the signal voltage is present.

## SLA 5/24 Slave Module

- Governed by master thermostats XMA, ETM, DTM and RFRM
- The slave module switches on and off in step with the master thermostat
- Synchronous operation of the heaters provides an even heating of the room



## Specifications:

- Master input terminal for DC or AC, 5 to 24 V
- Galvanic isolation from mains supply (optocoupler)

SLA 5/24  
SLA 5/24 (230/400V)

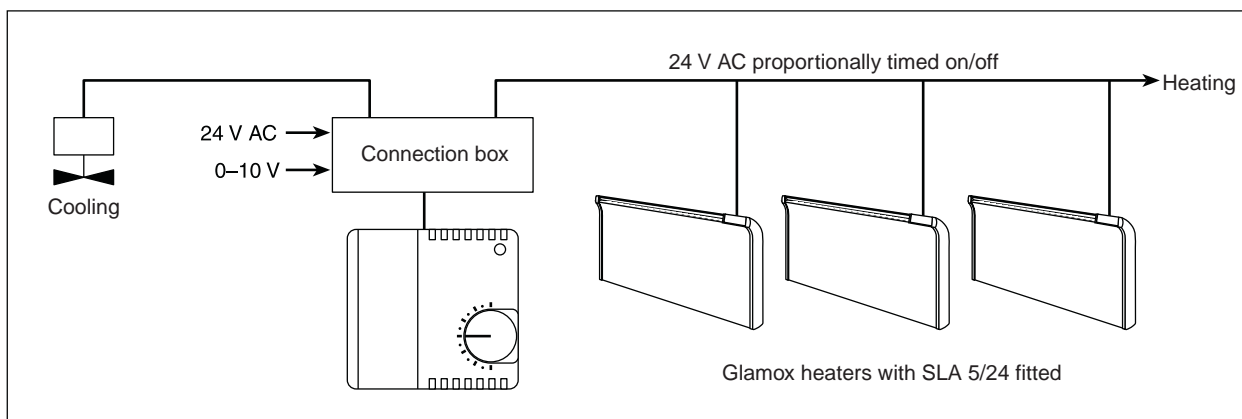
Item No.  
755 222 432

EI. Nr.  
54 207 92

# SLA 5/24

Slave module for Glamox heater series 3001  
Regulated by 5 to 24 volt AC/DC control signal

## Electric heating and cooling in sequence



Regulation of room temperature by controlling heating and cooling in sequence is employed by a number of systems. Here we show an example where Glamox panel heaters fitted with SLA 5/24 are governed by a 24 V AC proportionally timed control signal from an ABB E21-type thermostat. (Corresponding thermostats are available from several manufacturers.)

